

DATA
OUTPUT

ELECTRONIC PRECISION BALANCES



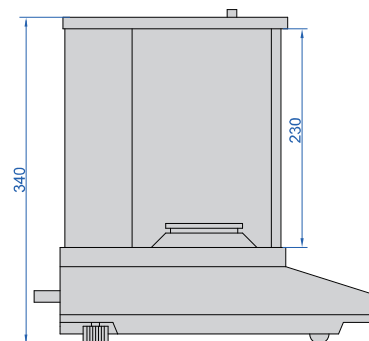
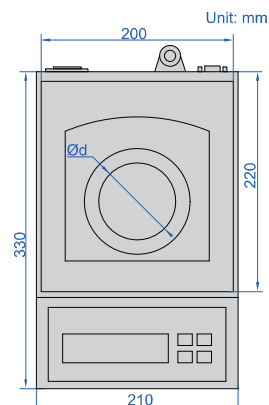
class F1 calibration weight
(included)



printer (optional)



8303-520



- Aluminum alloy shell, wind shield, three side glass sliding doors
- Electromagnetic balance sensor
- Unit: g, ct, ozt, oz, gn, dwt, mg
- Weighing, counting, taring
- Data output
- With a hook at the bottom

SPECIFICATION

Code	8303-220	8303-320	8303-520	8303-620	8303-1020	8303-1520	8303-2020	
Maximum weighing	220g	320g	520g	620g	1020g	1520g	2020g	
Minimum weighing	20mg	20mg	100mg	100mg	100mg	100mg	100mg	
Resolution (d)	1mg	1mg	1mg	1mg	1mg	1mg	1mg	
Verification interval (e)	10mg	10mg	10mg	10mg	10mg	10mg	10mg	
Accuracy (m is load)	m≤50g: ±5mg 50g<m≤200g: ±10mg m>200g: ±15mg		m≤500g: ±5mg m>500g: ±10mg				m≤500g: ±5mg 500g<m≤2000g: ±10mg m>2000g: ±15mg	
Weighing pan size (Ød)	Ø80mm				Ø120mm			
Operation temperature	15~30°C		18~23°C					
Operation humidity	40%~80% RH		50%~70% RH					
Power supply	220V, 50/60Hz							
Dimension (L×W×H)	330×210×340mm							

OPTIONAL ACCESSORY

RS232 cable	8301-CABLE*
Printer	8303-PRINTER
Data output cable (keyboard format)	7302-8001 page 14
Wireless transmitter (need receiver)	7315-8301 page 6

* Used to connect computers